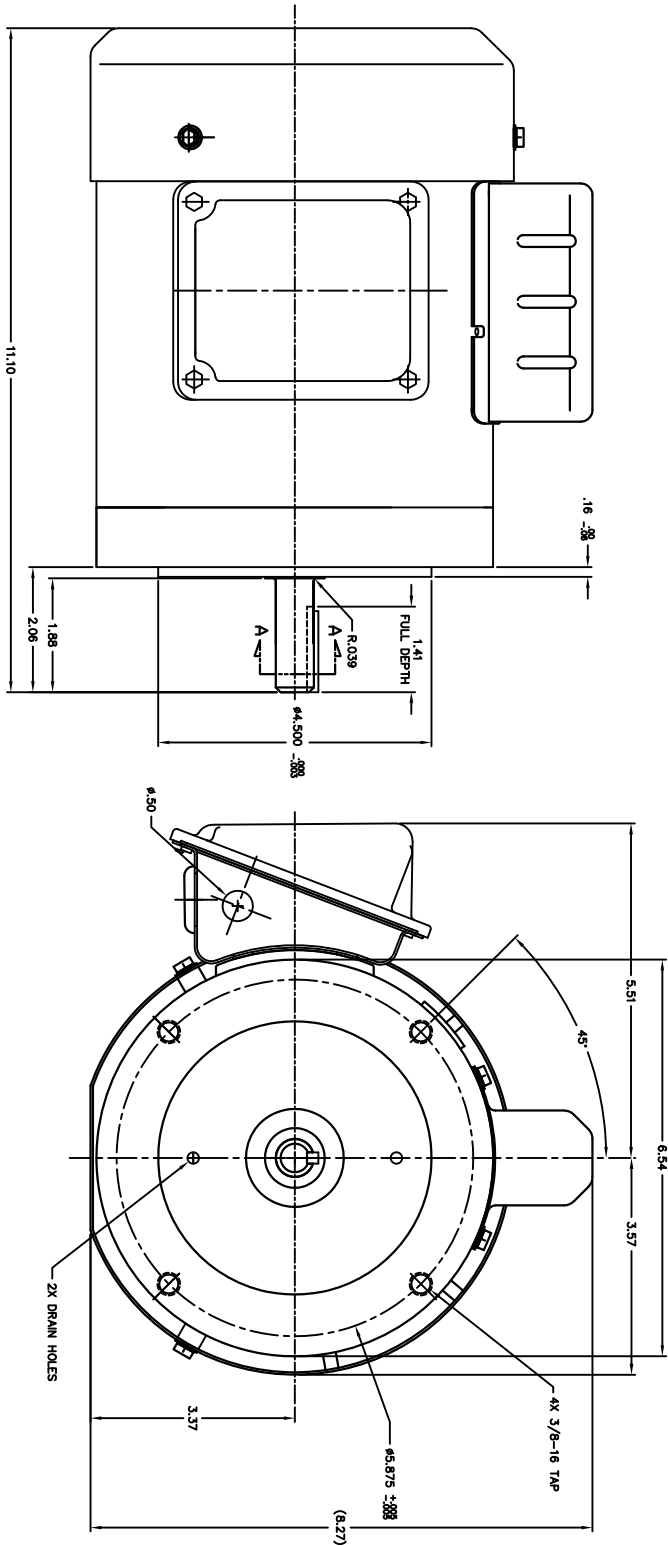
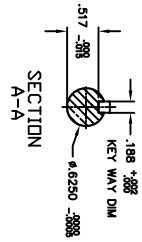
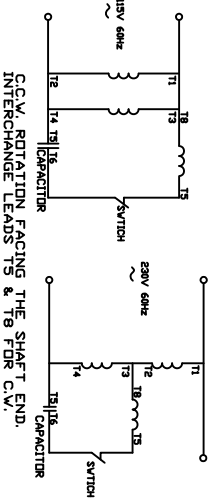


MOTOR SPECS/PERFORMANCE DATA 115V/230V	
MODEL NUMBER	YONS634X
HP	50
RATED SPEED	1725 RPM
VOLTAGE	115/230
PHASE	1
FLA	8.2/4.1 AMPS
FRAME	56C
ENCLOSURE	TEFC
IP RATING	55
INS CLASS	F
EFFICIENCY	61%
POWER FACTOR	85
FULL LOAD TORQUE	15 ft-lbs (203 Nm)
START TORQUE	4.24 ft-lbs (5.75 Nm)
SERVICE FACTOR	3.4/17.2 AMPS
MAX AMB	40
CAPACITOR SIZE	300 F/25V
DUTY	CONTINUOUS
POLE	4



- NOTES:
1. INTERPRET ABBREVIATIONS PER ANSI Y11.1.
 2. INTERPRET DIMENSIONS AND TOLERANCES PER ANSI Y14.5M.
 3. INTERPRET DRAWING PER ANSI Y14.3.

WIRING DIAGRAM



C.C.V. ROTATION FACING THE SHAFT END. INTERCHANGE LEADS T5 & T6 FOR C.V.

REVISIONS		DATE	BY
REV	DESC		
A	RELEASE FOR WEBSITE		

APPROVALS		DATE	
DESIGNED BY	APPROVED BY	DATE	DATE
DRWING NO.	REV		
003325-01	1/1		
MATERIAL N/A		FINISHING/ASSEMBLY CODE	
N/A			

MOTOR SPECIFICATIONS		APPROVALS	
MODEL NUMBER	YONS634X	DESIGNED BY	APPROVED BY
HP	50	DATE	DATE
RATED SPEED	1725 RPM	DATE	DATE
VOLTAGE	115/230	DATE	DATE
PHASE	1	DATE	DATE
FLA	8.2/4.1 AMPS	DATE	DATE
FRAME	56C	DATE	DATE
ENCLOSURE	TEFC	DATE	DATE
IP RATING	55	DATE	DATE
INS CLASS	F	DATE	DATE
EFFICIENCY	61%	DATE	DATE
POWER FACTOR	85	DATE	DATE
FULL LOAD TORQUE	15 ft-lbs (203 Nm)	DATE	DATE
START TORQUE	4.24 ft-lbs (5.75 Nm)	DATE	DATE
SERVICE FACTOR	3.4/17.2 AMPS	DATE	DATE
MAX AMB	40	DATE	DATE
CAPACITOR SIZE	300 F/25V	DATE	DATE
DUTY	CONTINUOUS	DATE	DATE
POLE	4	DATE	DATE

MOTOR SPECIFICATIONS		APPROVALS	
MODEL NUMBER	YONS634X	DESIGNED BY	APPROVED BY
HP	50	DATE	DATE
RATED SPEED	1725 RPM	DATE	DATE
VOLTAGE	115/230	DATE	DATE
PHASE	1	DATE	DATE
FLA	8.2/4.1 AMPS	DATE	DATE
FRAME	56C	DATE	DATE
ENCLOSURE	TEFC	DATE	DATE
IP RATING	55	DATE	DATE
INS CLASS	F	DATE	DATE
EFFICIENCY	61%	DATE	DATE
POWER FACTOR	85	DATE	DATE
FULL LOAD TORQUE	15 ft-lbs (203 Nm)	DATE	DATE
START TORQUE	4.24 ft-lbs (5.75 Nm)	DATE	DATE
SERVICE FACTOR	3.4/17.2 AMPS	DATE	DATE
MAX AMB	40	DATE	DATE
CAPACITOR SIZE	300 F/25V	DATE	DATE
DUTY	CONTINUOUS	DATE	DATE
POLE	4	DATE	DATE