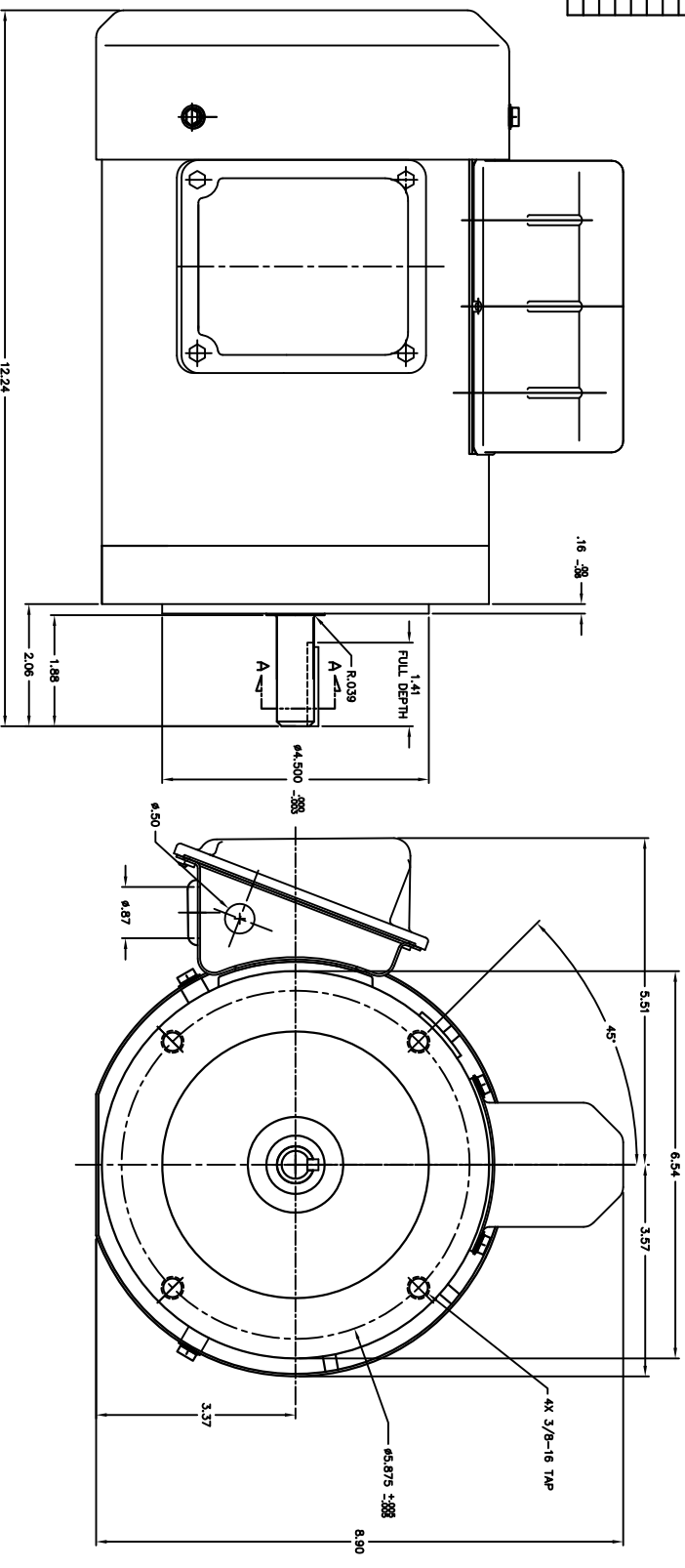
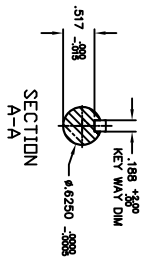
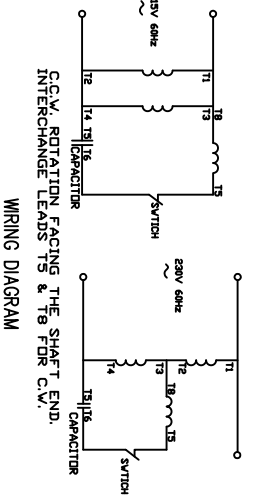


MOTOR SPECS/PERFORMANCE DATA 115V/230V	
MODEL NUMBER	YONS654X
HP	1.0
RATED SPEED	1725 RPM
VOLTAGE	115/230
PHASE	1
FLA	6.0
FRAME	13.6/6.8 AMPS
ENCLOSURE	56C
IP RATING	TEFC
INS CLASS	F
EFFICIENCY	69%
POWER FACTOR	89
FULL LOAD TORQUE	3.06 ft-lbs (415 NM)
START TORQUE	8.46 ft-lbs (115 NM)
START AMPERAGE	80/40 AMPS
SERVICE FACTOR	1.0
MAX AMB	40
CAPACITOR SIZE	600 F/25V
POLE	CONTINUOUS



- NOTES:
1. INTERPRET ABBREVIATIONS PER ANSI Y14.3.
 2. INTERPRET DIMENSIONS AND TOLERANCES PER ANSI Y14.5M.
 3. INTERPRET DRAWING PER ANSI Y14.3.



CCW, ROTATION FACING THE SHAFT END. INTERCHANGE LEADS T5 & T6 FOR C.W.

WIRING DIAGRAM

REV	ISS. NO.	REVISION	DATE	BY
A	XX	RELEASE FOR WEBSITE		

APPLICABLE SPECIFICATIONS	APPROVALS	DATE
ASME Y14.5	DESIGNED BY: [Signature]	
ASME Y14.6	CHECKED BY: [Signature]	
ASME Y14.7	APPROVED BY: [Signature]	

MATERIAL: N/A	DATE: 003324-01	REV: A
INSPECTION/ACCEPTANCE CODE: N/A	PROJECT NO.: 003324-01	ISSUE NO.: 1
	DATE: 003324-01	REV: A

SMC MOTOR 1.0 HP, SS, 1 PH, 56C, YONS654X