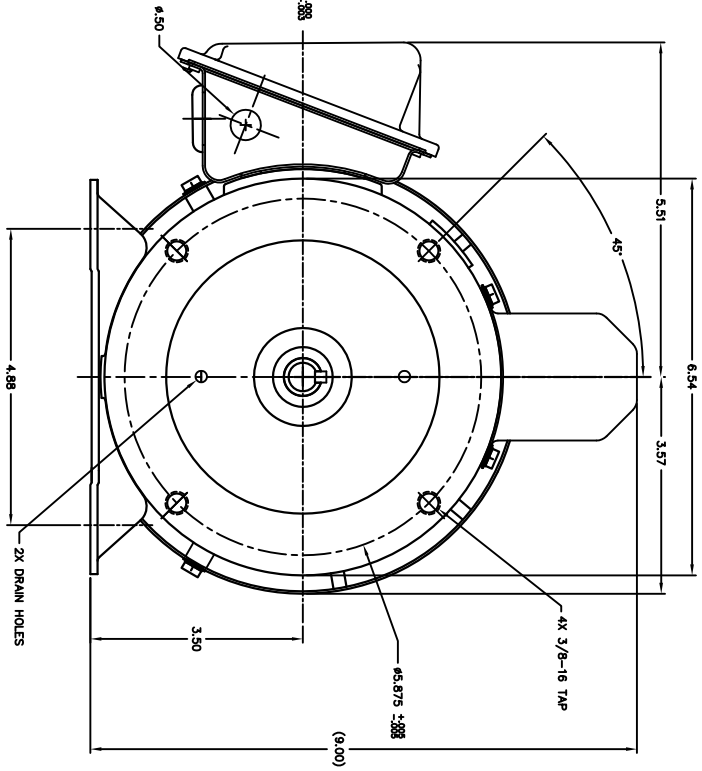
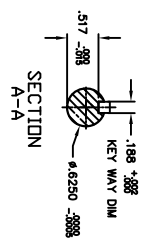
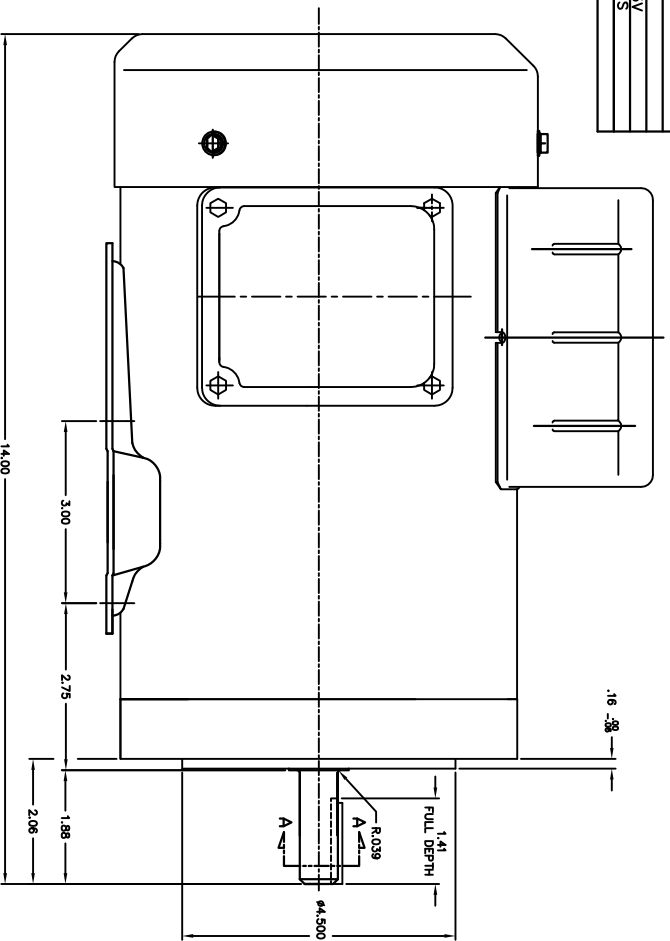
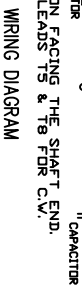


MOTOR SPECS/PERFORMANCE DATA 115V/230V	
MODEL NUMBER	YON5894X-D
HP	1.5
RATED SPEED	1725 RPM
FULL LOAD SPEED	1725 RPM
PHASE	1
FLA	6.0
FRAME	16.8/8.4 AMPS
ENCLOSURE	56C
IP RATING	TEFC
INS CLASS	F
EFFICIENCY	77%
POWER FACTOR	77%
FULL LOAD TORQUE	4.44 ft-lbs (6.02 Nm)
START TORQUE	12.5 ft-lbs (17 Nm)
START AMPERAGE	100/50 Amps
SERVICE FACTOR	1.0
MAX. AMB.	600 F./175V
CH/FAC/ION SIZE	CONTINUOUS
POLE	4



- NOTES:
1. INTERPRET DIMENSIONS AND TOLERANCES PER ANSI Y14.5M.
  2. INTERPRET ABBREVIATIONS PER ANSI Y11.1.
  3. INTERPRET DRAWING PER ANSI Y14.3.



REVISIONS		DATE	BY	REASON
REV	NO.			
A	XX			RELEASE FOR WEBSITE

APPROVALS	DATE	APPROVALS	DATE
DESIGNED BY		CHECKED BY	
DRAWN BY		APPROVED BY	
DATE		DATE	

MATERIAL	N/A
INSPECTION/ACCEPTANCE	OK
DATE	
BY	

PROJECT	YON5894X-D
DESCRIPTION	MOTOR 1.5 HP, SS, 1 PH, 56C, FOOTED, YON5894X-D
DRAWING NO.	002855-04
REV	A
SHEET	1 OF 1