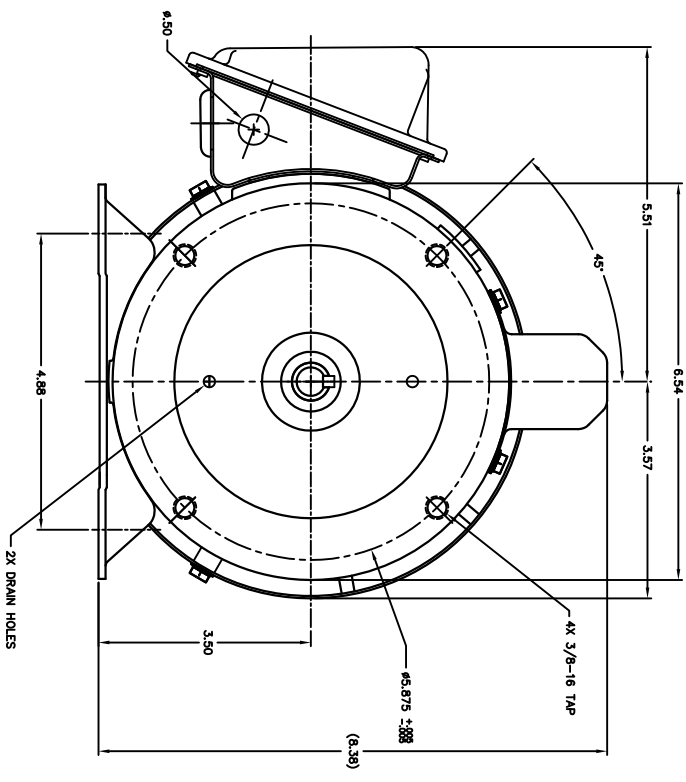
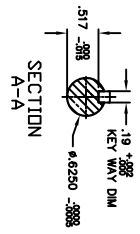
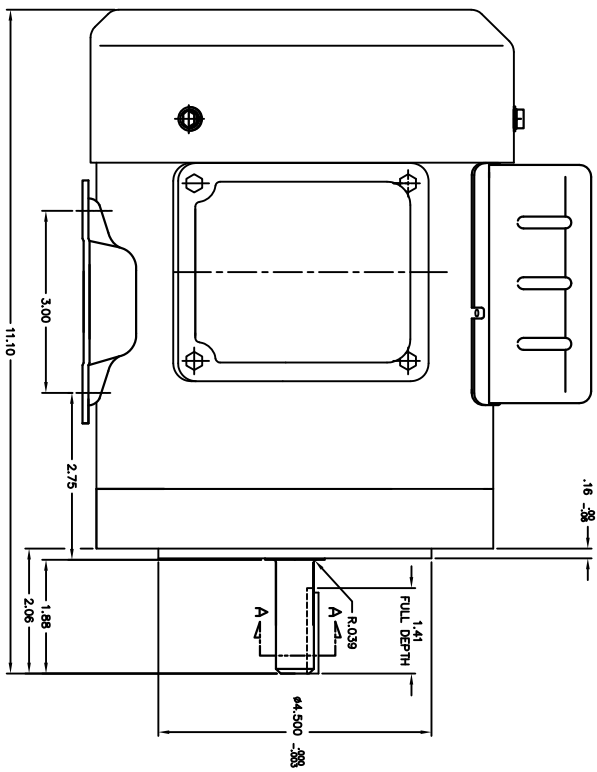
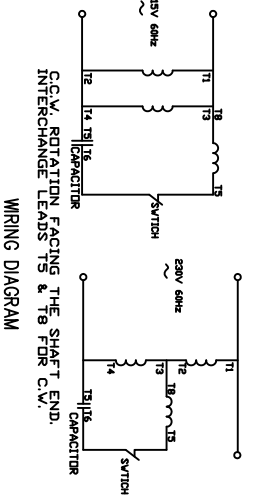


MOTOR SPECS/PERFORMANCE DATA 115V/230V	
MODEL NUMBER	YONS634X-D
HP	50
RATED SPEED	1725 RPM
VOLTAGE	115/230
PHASE	1
FLA	8.2/4.1 AMPS
FRAME	56C
ENCLOSURE	TEFC
IP RATING	55
INS CLASS	F
EFFICIENCY	61%
POWER FACTOR	85
FULL LOAD TORQUE	1.5 ft-lbs (2.03 Nm)
START TORQUE	4.24 ft-lbs (5.75 Nm)
START AMPERAGE	34.4/17.2 Amps
SERVICE FACTOR	1.0
MAX AMB. C	40
CAPACITOR SIZE	300 F/735V
DUTY	CONTINUOUS
POLE	4



- NOTES:
1. INTERPRET DIMENSIONS AND TOLERANCES PER ANSI Y14.5M.
 2. INTERPRET DIMENSIONS AND TOLERANCES PER ANSI Y14.3.
 3. INTERPRET ABBREVIATIONS PER ANSI Y11.



REVISIONS		REV	DATE	DESCRIPTION	BY	CHKD
1		A		RELEASE FOR WEBSITE		

NOTES: CONSULT APPROVALS

APPROVALS

DESIGNED BY	DATE	APPROVED BY	DATE
DRN			

MOTOR, 5 HP, SS, 1 PH, 56C, FOOTED, YONS634X-D

DATE: 002855-01

REV: A

APPROVED BY: [Signature]

DATE: 002855-01

REV: A

APPROVED BY: [Signature]

DATE: 002855-01

REV: A