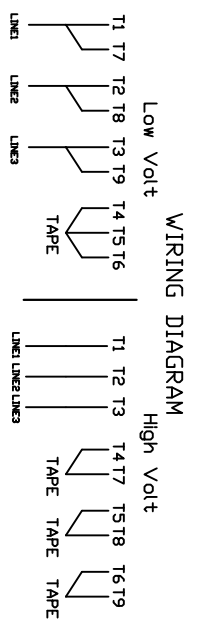
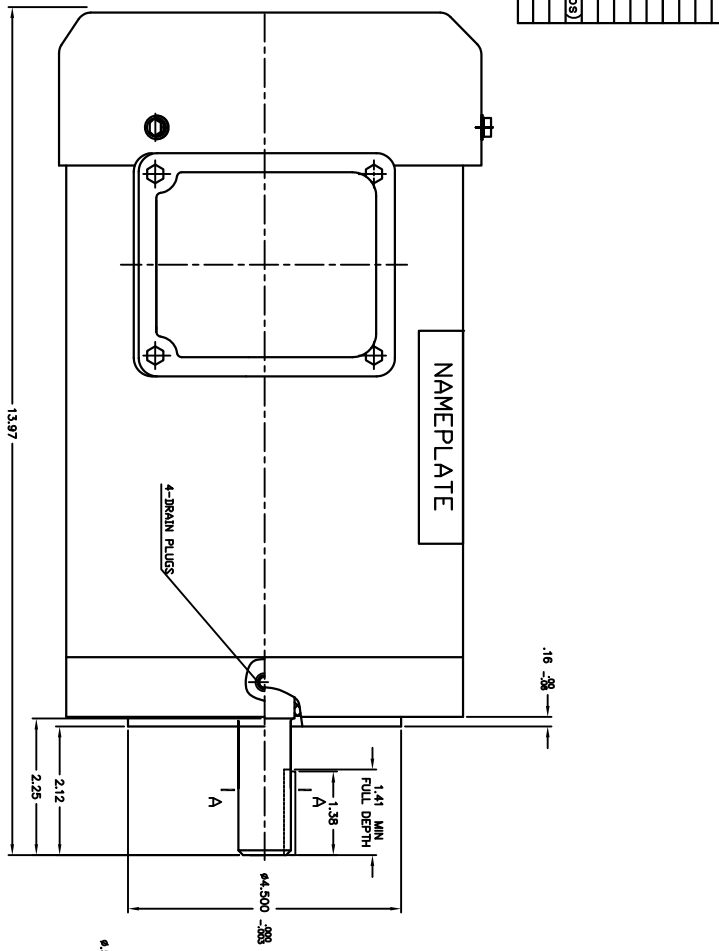
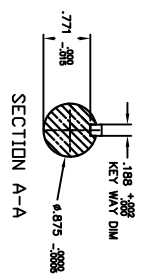


MOTOR SPECS/PERFORMANCE DATA	
MODEL NUMBER	YXNS584-A
HP	2.0
VOLT	208-230/460
PHASE	3
FZ	60
RATED SPEED	1740 RPM
FLA (@460VOLTS)	3.0 AMPS
FRAME	145TC
ENCLOSURE	TEFC
IP RATING	F
INS. CLASS	F
POWER FACTOR	95%
FULL LOAD TORQUE	8.2 Nm (6.0 ft-lbs)
VAV TORQUE	23 Nm (16.98 ft-lbs)
START AMPERAGE	22 AMPS
SERVICE FACTOR	1.15
RATING @	40°C AMBIENT
USABLE AMPS @208V	5.20
LOCKED ROTOR CODE	B
TEMP DESIGN CODE	B
TR KVA CODE	K 8 AMPS
TD LOAD CURRENT	7.0 AMPS
LINE- LINE RESIST @25°C	7.0 MΩ
TEMP RISE COEFF	65°C
LOCKED ROTOR TORQ	26.5 Nm (19.55 ft-lbs)
TEMP RISE @ST. LOAD	75°C
SHIPPING WEIGHT (LBS)	49
DUTY	CONTINUOUS

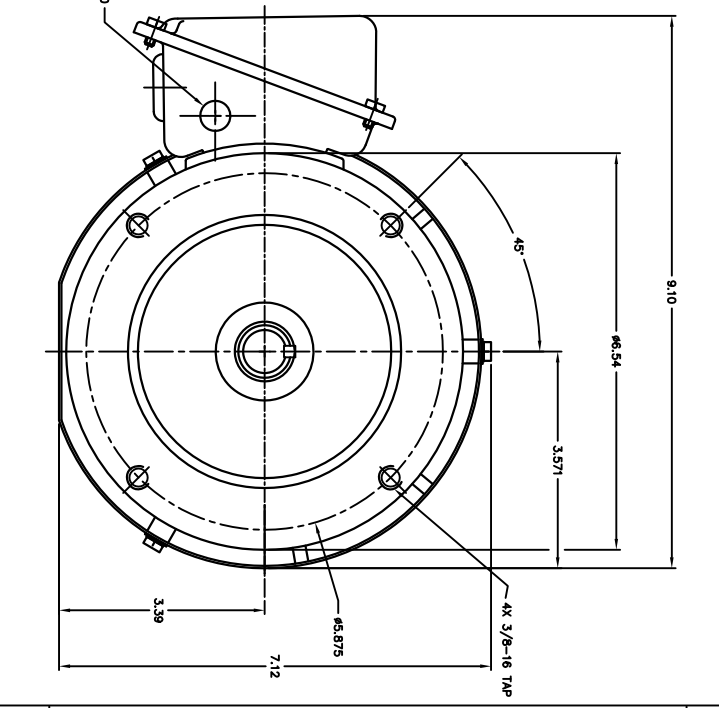


1. INTERPRET DRAWING PER ANSI Y14.3.
2. INTERPRET ABBREVIATIONS PER ANSI Y11.
3. INTERPRET DIMENSIONS AND TOLERANCES PER ANSI Y14.5M.

NOTES:

NOTE: TO REVERSE ROTATION, INTERCHANGE ANY TWO LEADS

REVISIONS		REV	DATE	DESCRIPTION	REV	DATE	DESCRIPTION
		A		RELEASE FOR WEBSITE			



QUALITY CONTROL INFORMATION

APPROVALS

DESIGNED BY	DATE	APPROVED BY	DATE
DRWING NO.		REV	

SMC NORTH AMERICA

MOTOR, 2 HP, SS, 3 PH, 145TC, YXNS584-A

DATE: 002849-05

REV: A

1 OF 1