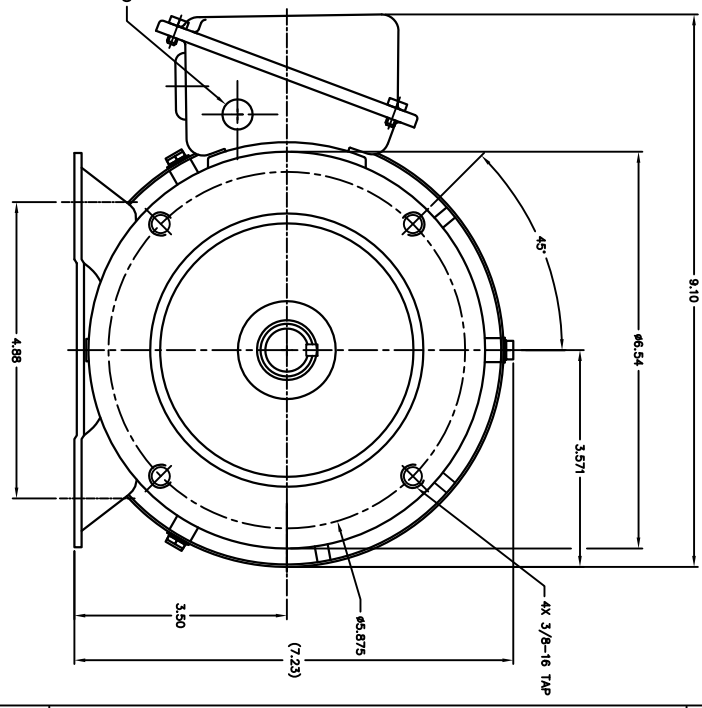
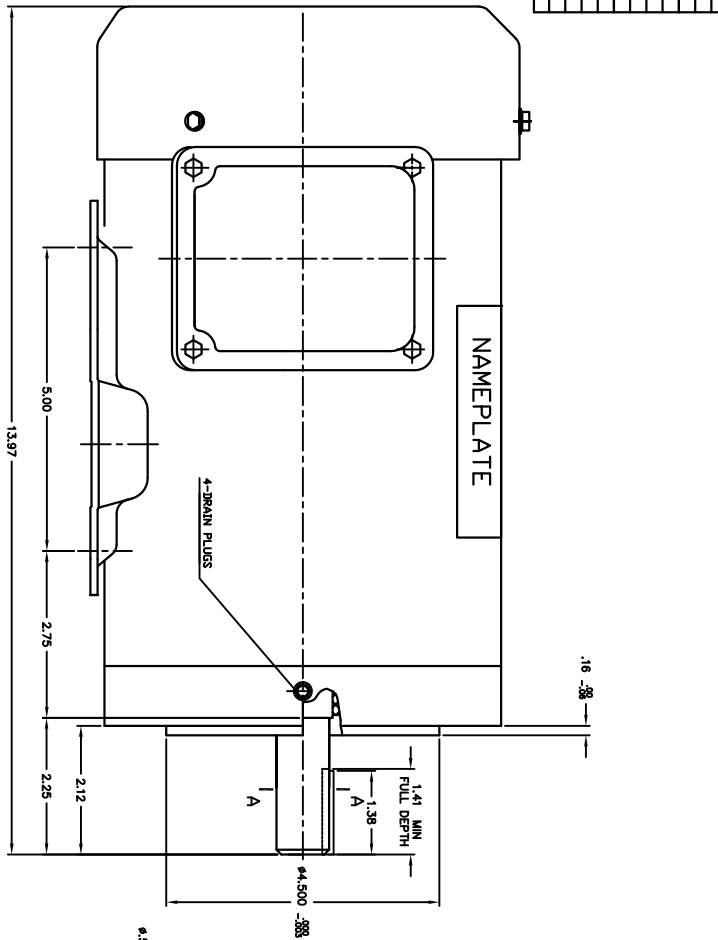
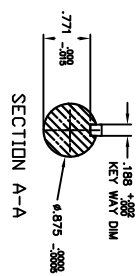
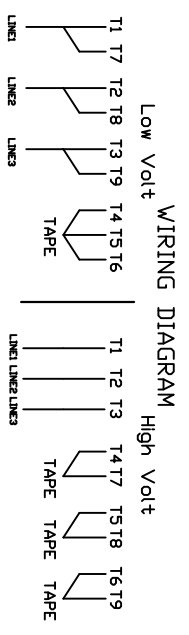


MOTOR SPECS/PERFORMANCE DATA	
MODEL NUMBER	YNXS674D-A
HP	1.5
VOLT	208-230/460
PHASE	3
RATED SPEED	1740 RPM
FLA (@460VOLTS)	2.4 AMPS
FRAME	TEFC
ENCLOSURE	TEFC
IP RATING	F
INS. CLASS	F
POWER FACTOR	94%
EFFICIENCY	94%
FULL LOAD TORQUE	6.03 Nm (4.45 ft-lbs)
WAVE TORQUE	21.5 Nm (15.86 ft-lbs)
START AMPERAGE	19 AMPS
SERVICE FACTOR	1.15
RATING	40 C AMBIENT
USABLE AMPS @208V	4.2
LOCKED ROTOR CODE	B
TEMP DESIGN CODE	B
TR KVA CODE	1.5 AMPS
TD LOAD CURRENT	1.5 AMPS
LINE-TO-LINE RESIST @25C	8 OHMS
TEMP RISE COEFF	48 C
LOCKED ROTOR TORQ	16 Nm (11.9 ft-lbs)
TEMP RISE @ST. LOAD	60 C
SHIPPING WEIGHT (LBS)	48
DUTY	CONTINUOUS



1. INTERPRET ABBREVIATIONS PER ANSI Y11.
2. INTERPRET DIMENSIONS AND TOLERANCES PER ANSI Y14.5M.
3. INTERPRET DRAWING PER ANSI Y14.3.

NOTES:  
NOTE: TO REVERSE ROTATION, INTERCHANGE ANY TWO LEADS



REVISIONS		REV	DATE	DESCRIPTION	REV	DATE	DESCRIPTION
		A	XX	RELEASE FOR WEBSITE			

STANDARD CONVENTIONS, ABBREVIATIONS AND SYMBOLS

APPROVALS

DESIGNED BY	DATE	APPROVED BY	DATE
CHECKED BY			

APPROVED BY: SMC NORTH AMERICA

MATERIAL: N/A

REVISIONS: 1/1

DATE: 002849-04

REV: A

DESCRIPTION: MOTOR, 1.5 HP, 3 PH, 145TC, T000TD, YNXS674D-A