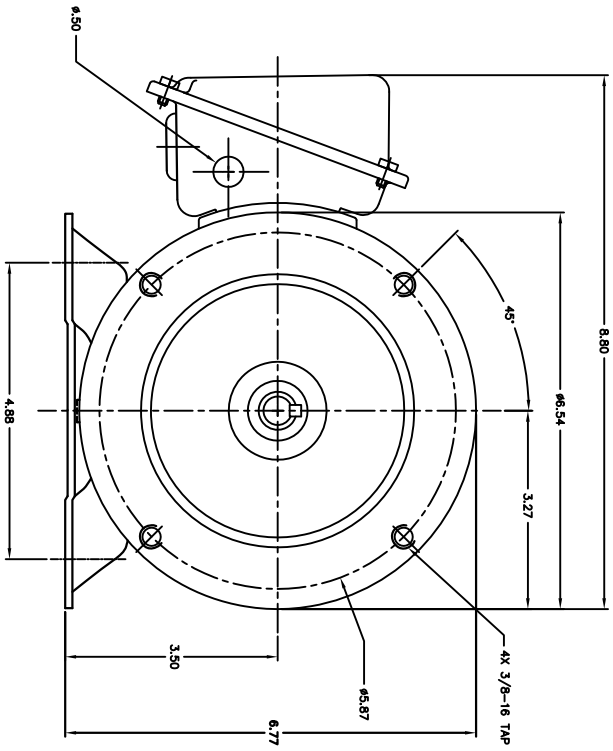
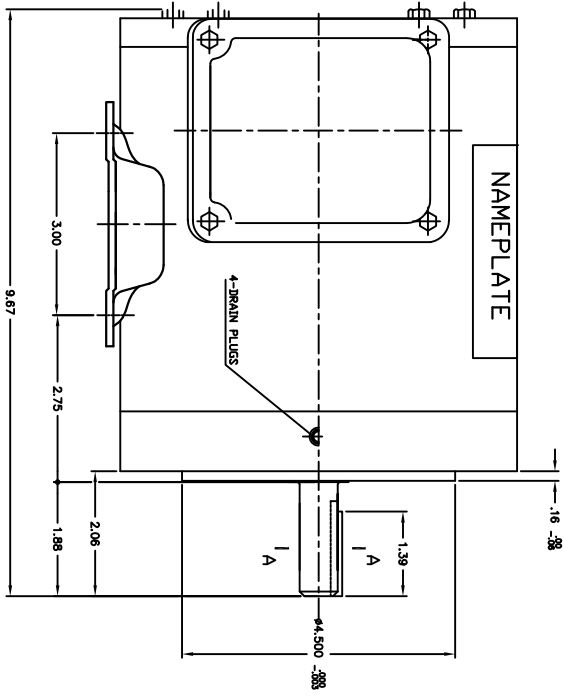
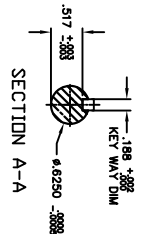
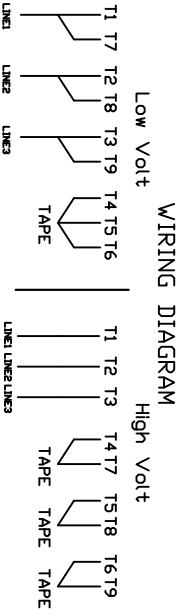


MOTOR SPECS./PERFORMANCE DATA	
MODEL NUMBER	YNXS644D
HP	.75
VOLT	208-230/460
PHASE	3
FZ	60
RATED SPEED	1740 RPM
FLA (@460VOLTS)	1.2 AMPS
FRAME	56C
ENCLOSURE	TEV
TERMINAL	5S
INS. CLASS	F
INS. Q/LASS	F2
POWER FACTOR	82%
FULL LOAD TORQUE	3 Nm (2.21 ft-lbs)
MAX TORQUE	10.5 Nm (7.75 ft-lbs)
START AMPERAGE	10 AMPS
SERVICE FACTOR	1.15
RATING	40 °C AMBIENT
LOCKED MOTOR CODE	2.4
TECHN. DESIGN CODE	B
TR KVA CODE	B
TD LOAD CURRENT	0.65 AMPS
LINE-TO-LINE RESIST @25C	18 OHMS
TEMP. RISE @25C	72°C
LOCKED ROTOR TORQ	9 Nm (6.64 ft-lbs)
TEMP. RISE @ST. LOAD	85°C
SHIPPING WEIGHT (LBS)	38
DUTY	CONTINUOUS



1. INTERPRET DRAWING PER ANSI Y14.3.
2. INTERPRET DIMENSIONS AND TOLERANCES PER ANSI Y14.5M.
3. INTERPRET ABBREVIATIONS PER ANSI Y11.

NOTE: TO REVERSE ROTATION, INTERCHANGE ANY TWO LEADS



REVISIONS		DATE	BY
REV	DESC. WKS.	DATE	BY
1	RELEASE FOR MESSITE		

APPROVALS		DATE	
DESIGNED BY	APPROVED BY	DATE	DATE
DRWING SCALE	SCALE		
PROJECT NO.	PROJECT NO.		
REV	REV		
1	1		