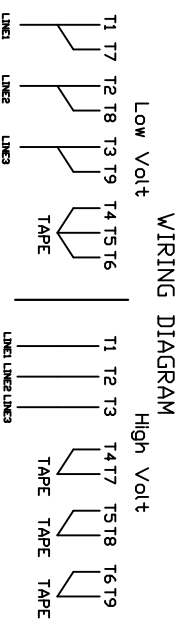
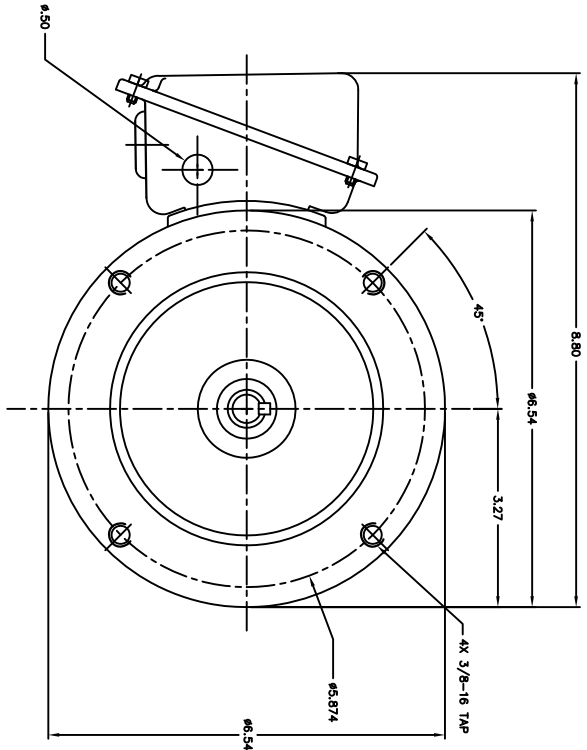
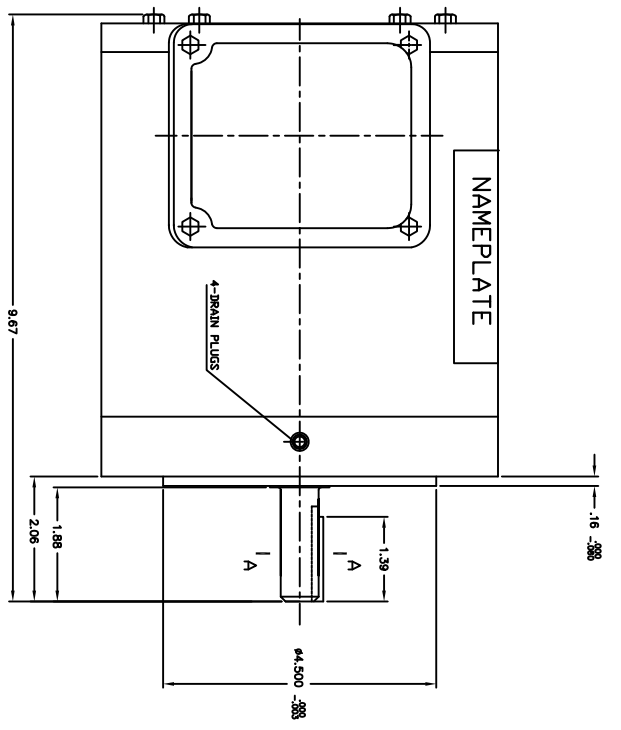
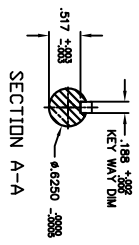


MOTOR SPECS/PERFORMANCE DATA	
MODEL NUMBER	YXNS634
HP	.50
VOLT	208-230/460
PHASE	3
HZ	60
RATED SPEED	1740 RPM
FLA (@460VOLTS)	185 AMPS
FRAME	56C
ENCLOSURE	TELV
INSULATION	F
INS CLASS	180C
EFFICIENCY	80%
POWER FACTOR	97%
FULL LOAD TORQUE	2 Nm (1.48 ft-lbs)
VARY TORQUE	5 Nm (3.9 ft-lbs)
START AMPERAGE	6 AMPS
SERVICE FACTOR	1.15
RATING	40 °C AMBIENT
USABLE AMPS @208V	1.55
LOCKED MOTOR CODE	B
TEMA DESIGN CODE	B
TK KVA CODE	0.65 AMPS
NO LOAD CURRENT	0.25 AMPS
NO LOAD RESIST @50	30 OHMS
TEMP RISE COEFF	82°C
LOCKED ROTOR TORQ	6 Nm (4.43 ft-lbs)
TEMP RISE @ST. LOAD	72°C
SHIPPING WEIGHT (LBS)	36
DUTY	CONTINUOUS



NOTE: TO REVERSE ROTATION, INTERCHANGE ANY TWO LEADS

- NOTES:
- INTERPRET ABBREVIATIONS PER ANSI Y11.
 - INTERPRET DIMENSIONS AND TOLERANCES PER ANSI Y14.5M.
 - INTERPRET DRAWING PER ANSI Y14.3.

REVISIONS		REV	DATE	DESCRIPTION	BY	CHK
		A		RELEASE FOR MESSITE		

NOTES: CONSULT THE MANUFACTURER FOR THE LATEST REVISIONS TO THIS DRAWING. DIMENSIONS ARE GIVEN UNLESS OTHERWISE SPECIFIED.

APPLICABLE SPECIFICATIONS	APPROVALS	DATE	BY
MATERIAL: N/A	DESIGNED BY: [Signature]	DATE: [Date]	BY: [Signature]
INSPECTED/ACCEPTANCE CHECK: N/A	APPROVED BY: [Signature]	DATE: [Date]	BY: [Signature]

PROJECT: MOTOR .50 HP, SS, 3 PH, 56C, YXNS634

DRAWING NO.: 002848-05

REV: A

SHEET 1 OF 1