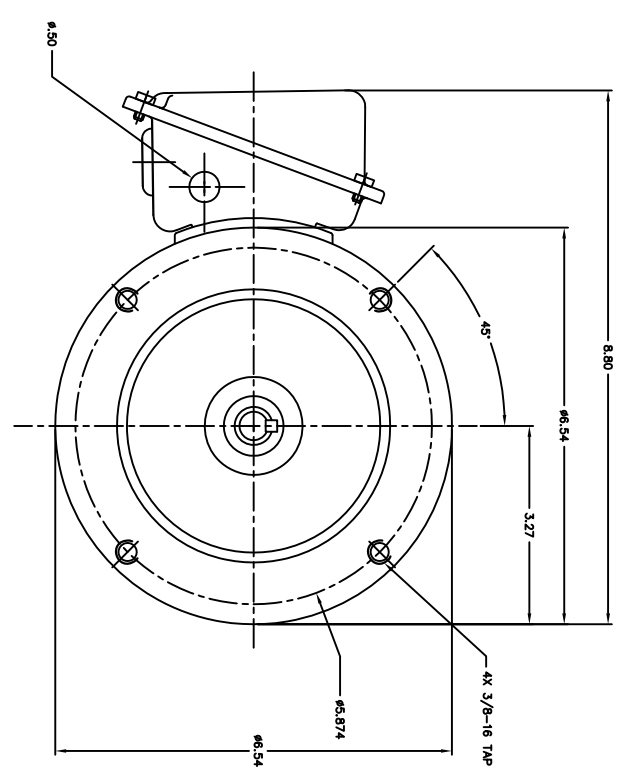
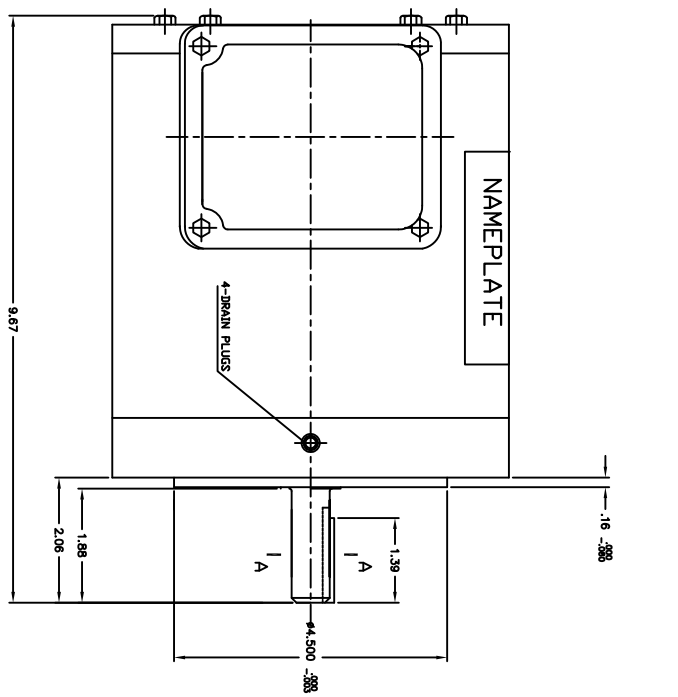
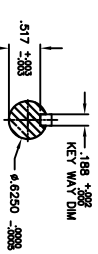
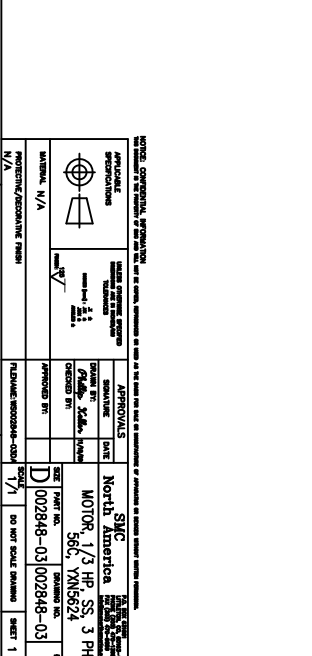
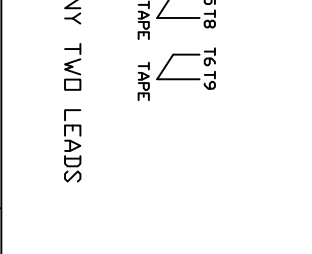
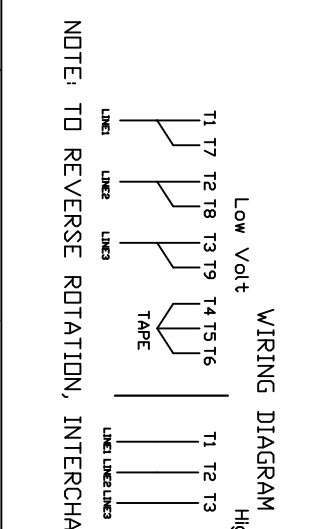


MOTOR SPECS/PERFORMANCE DATA	
MODEL NUMBER	YNNS624
HP	3.3
VOLT	208-230/460
PHASE	3
RATED SPEED	1740 RPM
FLA (@460VOLTS)	55 AMPS
FRAME	56C
ENCLOSURE	TEV
INS RATING	F5
INS CLASS	75C
POWER FACTOR	0.85
FULL LOAD TORQUE	1.35 Nm (996 ft-lbs)
VAV TORQUE	5.8 Nm (4.28 ft-lbs)
START AMPS (@460V)	4.8 AMPS
SERVICE FACTOR	1.15
RATING	100 °C AMBIENT
USABLE AMPS @208V	11.08
LOCKED ROTOR CODE	B
TEMA DESIGN CODE	B
LR KVA CODE	N 5 AMPS
TD LOAD CURRENT	0.5 AMPS
LINE-TO-LINE RESIST @50 OHMS	4.3 C
TEMP RISE COEFF	4.3 C
LOCKED ROTOR TORQ	4.3 Nm (3.32 ft-lbs)
TEMP RISE @ST LOAD	32 C
SHIPPING WEIGHT (LBS)	33
DUTY	CONTINUOUS



MOTOR SPECS/PERFORMANCE DATA	
MODEL NUMBER	YNNS624
HP	3.3
VOLT	208-230/460
PHASE	3
RATED SPEED	1740 RPM
FLA (@460VOLTS)	55 AMPS
FRAME	56C
ENCLOSURE	TEV
INS RATING	F5
INS CLASS	75C
POWER FACTOR	0.85
FULL LOAD TORQUE	1.35 Nm (996 ft-lbs)
VAV TORQUE	5.8 Nm (4.28 ft-lbs)
START AMPS (@460V)	4.8 AMPS
SERVICE FACTOR	1.15
RATING	100 °C AMBIENT
USABLE AMPS @208V	11.08
LOCKED ROTOR CODE	B
TEMA DESIGN CODE	B
LR KVA CODE	N 5 AMPS
TD LOAD CURRENT	0.5 AMPS
LINE-TO-LINE RESIST @50 OHMS	4.3 C
TEMP RISE COEFF	4.3 C
LOCKED ROTOR TORQ	4.3 Nm (3.32 ft-lbs)
TEMP RISE @ST LOAD	32 C
SHIPPING WEIGHT (LBS)	33
DUTY	CONTINUOUS



REVISIONS	
REV	DESCRIPTION
1	RELEASE FOR WEBSITE
2	
3	
4	
5	
6	
7	
8	

APPROVALS	DATE	APPROVALS	DATE
DESIGNED BY		CHECKED BY	
DRAWN BY		APPROVED BY	
DATE		DATE	
PROJECT NO.	002848-03	REV	1
DESCRIPTION	MOTOR, 1/3 HP, SS, 3 PH, 56C, YNNS624	REV	A
DATE	1/1	REV	
SCALE	AS SHOWN	REV	
PROJECT NO.	002848-03	REV	
DESCRIPTION	MOTOR, 1/3 HP, SS, 3 PH, 56C, YNNS624	REV	
DATE	1/1	REV	
SCALE	AS SHOWN	REV	

NOTES:  
 1. INTERPRET DIMENSIONS PER ANSI Y14.3.  
 2. INTERPRET ABBREVIATIONS PER ANSI Y11.1.  
 3. INTERPRET TOLERANCES PER ANSI Y14.5M.

NOTE: TO REVERSE ROTATION, INTERCHANGE ANY TWO LEADS