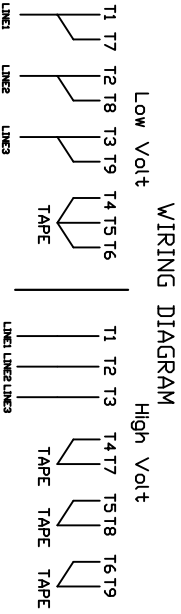
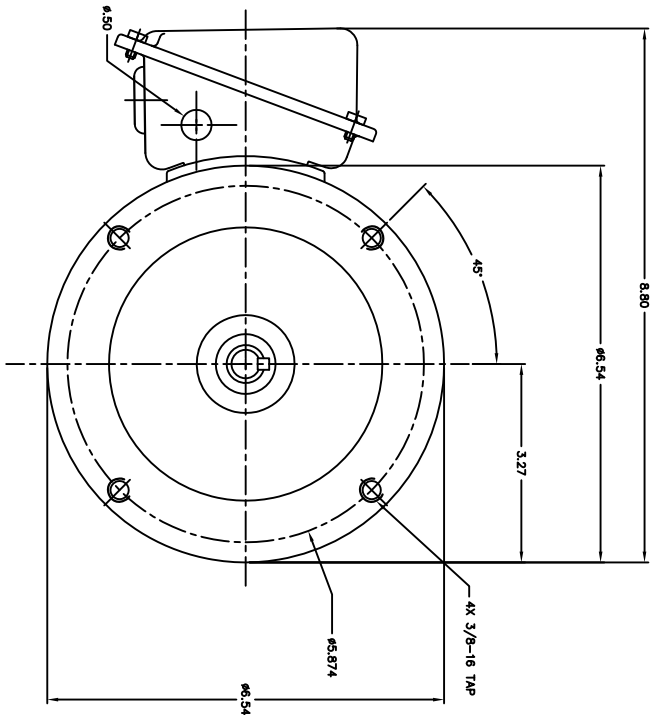
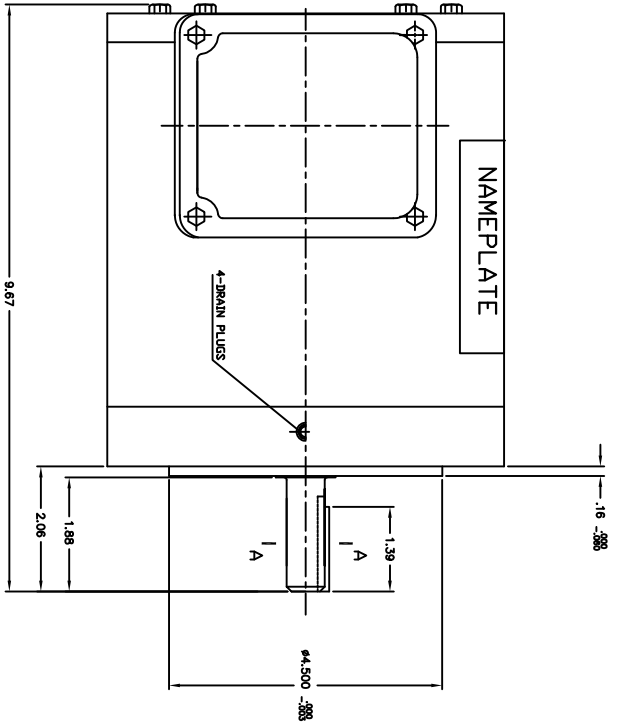
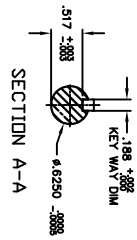


MOTOR SPECS/PERFORMANCE DATA	
MODEL NUMBER	YNN5B14
HP	.25
VOLT	208-230/460
PHASE	3
HZ	60
RATED SPEED	1740 RPM
FLA (@460VOLT)	4.5 AMPS
FRAME	56C
ENCLOSURE	TENV
IP RATING	F
INS CLASS	F
EFFICIENCY	75%
POWER FACTOR	0.82
FULL LOAD TORQUE	3.9 Nm (723 ft.-lbs)
START TORQUE	4.8 Nm (7.54 ft.-lbs)
START AMPS (@460V)	3.5 AMPS
SERVICE FACTOR	1.15
RATING	1/2 C AMBIENT
USABLE AMPS @208V	1.0
LOCKED ROTOR CODE	B
NEMA DESIGN CODE	B
TK KVA CODE	N 4 AMPS
NO LOAD CURRENT	0.4 AMPS
LINE-TO-LINE RESIST @50 OHMS	3.3 OHMS
TEMP RISE CONT.	40°C
LOCKED ROTOR TORQ	3.3 Nm (2.38 ft.-lbs)
TEMP RISE @57 LOAD	43°C
SHIPPING WEIGHT (LBS)	3.3
DUTY	CONTINUOUS



NOTE: TO REVERSE ROTATION, INTERCHANGE ANY TWO LEADS

- NOTES:
- INTERPRET ABBREVIATIONS PER ANSI Y11.1.
 - INTERPRET DIMENSIONS AND TOLERANCES PER ANSI Y14.5M.
 - INTERPRET DRAWING PER ANSI Y14.3.

REVISIONS		REV	DATE	DESCRIPTION	BY	DATE
		A		RELEASE FOR WEBSITE		

NOTES: CONSULT APPROVALS

APPROVALS:

DESIGNED BY	DATE	APPROVED BY	DATE
DRWING SCALE			

APPROVED BY: SMC NORTH AMERICA

MATERIAL: N/A

PROJECT/ASSOCIATIVE CODE: MOTOR .50 HP .SS. 3 PH. 56C, YNN5B14

DATE: 002848-01

REV: A

DATE: 002848-01

REV: A

DATE: 002848-01

REV: A