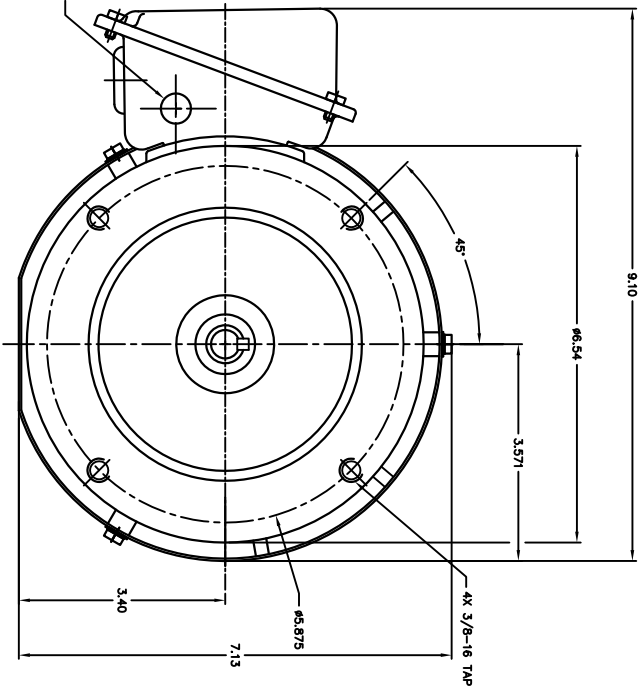
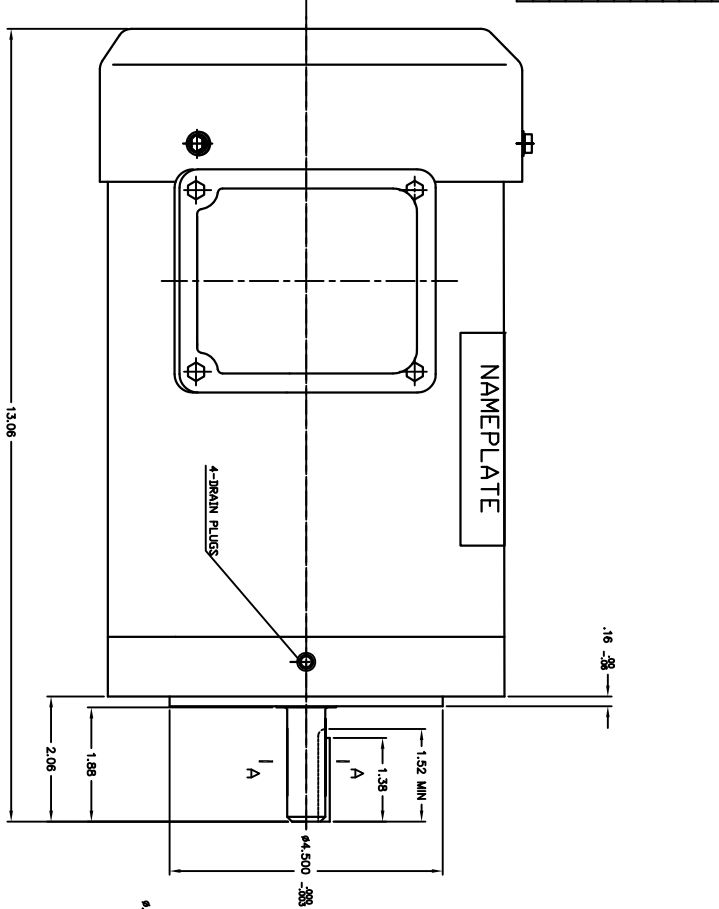
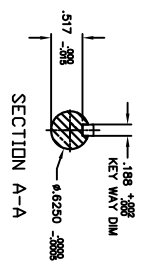
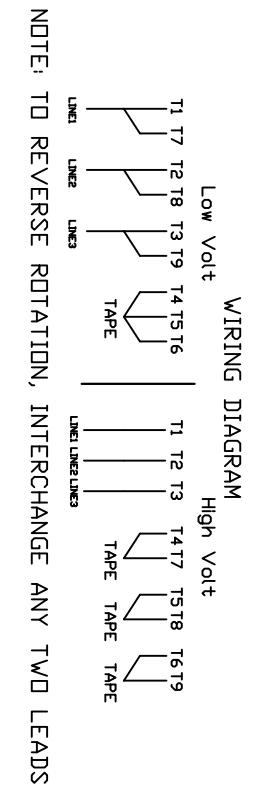


MOTOR SPECS/PERFORMANCE DATA	
MODEL NUMBER	YNXS5684
HP	2.0
VOLT	208-230/460
PHASE	3
HZ	60
RATED SPEED	1740 RPM
FLA (@460VOLTS)	3.0 AMPS
FRAME	56C
ENCLOSURE	TEFC
IP RATING	53
INS CLASS	F
EFFICIENCY	85%
POWER FACTOR	92%
FULL LOAD TORQUE	8.2 Nm (6.05 ft-lbs)
VARY TORQUE	22 Nm (16.38 ft-lbs)
START AMPERAGE	22 AMPS
SERVICE FACTOR	1.15
RATING	1/2 C AMBIENT
USABLE AMPS @208V	5.20
LOCKED ROTOR CODE	B
TEMA DESIGN CODE	B
TR KVA CODE	K 8 AMPS
TD LOAD CODE	L
LINE LINE RESIST @50C	7.0HMS
TEMP RISE COPT	65C
LOCKED ROTOR TORQ	26.5 Nm (19.55 ft-lbs)
TEMP RISE @ST LOAD	75C
SHIPPING WEIGHT (LBS)	49
DUTY	CONTINUOUS



1. INTERPRET DRAWING PER ANSI Y14.3.
2. INTERPRET DIMENSIONS AND TOLERANCES PER ANSI Y14.5M.
3. INTERPRET ABBREVIATIONS PER ANSI Y11.



REVISIONS		REV	DATE	DESCRIPTION	REV	DATE	DESCRIPTION
1		1X		RELEASE FOR WEBSITE			
2							
3							
4							

**GENERAL COMMENTS/NOTATION:**

ALL DIMENSIONS UNLESS OTHERWISE SPECIFIED ARE IN INCHES. DIMENSIONS IN PARENTHESES ARE GIVEN FOR INFORMATION. DIMENSIONS IN MILLIMETERS ARE GIVEN FOR INFORMATION.

APPLICABLE SPECIFICATIONS	APPROVALS	DATE	DATE
ASSEMBLY	DESIGNED BY	DATE	DATE
TESTING	CHECKED BY	DATE	DATE
FINISHING/ASSEMBLY	APPROVED BY	DATE	DATE

**APPROVED BY:** SMC MOTOR, 2 HP, SS, 3 PH, 56C, YNXS5684

**DATE:** 002847-05

**PROJECT:** 002847-05

**SHEET:** 1 OF 1